

Type **TK16 H₂ High-Flow**

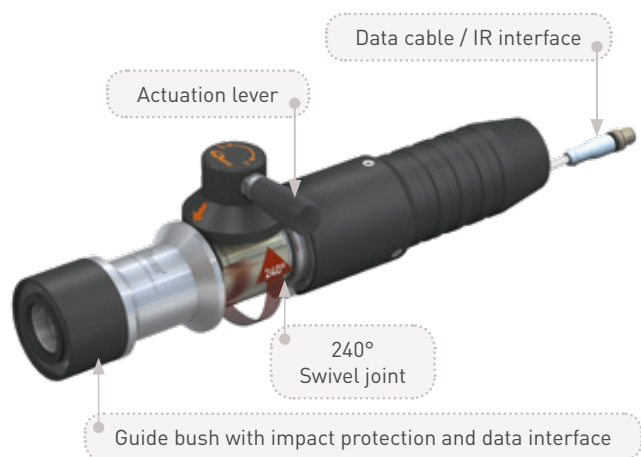
WEH[®] H₂ Fueling Nozzle with Data Interface

for heavy-duty vehicles (buses and trucks) at self-service fueling stations



General

DESCRIPTION



Features

- Compatible with WEH[®] TN1 H₂ High-Flow receptacle profile
- Integrated data interface acc. to SAE J2601
- WEH EASY-TURN[®] 240° swivel joint for actuation lever
- Easy operation
- Higher flow rate → shorter filling times
- Filling rate approx. 100 - 120 g/sec.
- Recirculation of the vented gas
- Plastic thermal protection
- WEH[®] Jaw locking mechanism
- High-grade materials
- Coding for pressure range / gas type

The WEH[®] TK16 H₂ High-Flow Fueling Nozzle with Data Interface provides a faster hydrogen refueling solution for buses and trucks. An increased flow rate achieves even faster filling times.

The actuation lever is located on the integrated swivel joint making it easy to rotate into the optimal actuating position. The actuation lever needs less effort to actuate the nozzle.

Internal coding for pressure range and gas type ensures that the TK16 H₂ High-Flow with data interface only fits the WEH[®] TN1 H₂ High-Flow Receptacle.

Furthermore the fueling nozzle has an interface (IR) for data transfer between vehicle and fueling station.

Safety

WEH[®] TK16 H₂ High-Flow with data interface offers optimum safety to the operator.

The fueling nozzle remains connected to the receptacle until the gas between inlet valve and receptacle is depressurized.

Application

Fueling nozzle for H₂ fast filling of heavy-duty vehicles (buses and trucks) at self-service fueling stations.

		NOZZLE - pressure range/coding			
		3,600 psi	5,000 psi	5,000 psi HF*	10,000 psi
RECEPTACLE - pressure range/coding	3,600 psi	✓			
	5,000 psi	✓	✓		
	5,000 psi HF	✓	✓	✓	
	10,000 psi	✓	✓		✓

* HF = High-Flow

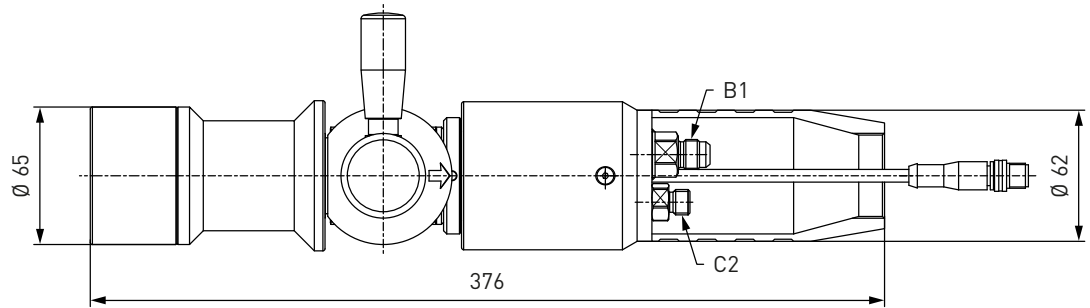
TECHNICAL DATA

Characteristic	Basic version	Options
Nominal bore DN	8 mm	On request
Pressure range	PN = 350 bar (5,000 psi) PS = 450 bar PT = 675 bar	
Temperature range	-40 °F up to +185 °F	On request
Material	Corrosion resistant	On request
Sealing material	Hydrogen compatible	On request
Design	With plastic thermal protection, gas recirculation and data interface	On request
Weight	Approx. 5.29 lbs.	
Registration	SAE J2600:2002 Data interface: SAE J2601 / ATEX	Data interface: SAE J2601 / NEC Class 1 Zone 1

Ordering / Accessories

ORDERING | WEH® TK16 H₂ High-Flow Fueling Nozzle with Data Interface

approx. dimensions (mm)



Part No.	Description	Pressure (PN)	Inlet B1 (male thread)	Gas recirculation C2 (male thread)
C1-94315-X01	TK16 H ₂ High-Flow	350 bar / 5,000 psi	UNF 9/16"-18*	M12x1.5

* acc. to SAE J514, 37°

On request the TK16 H₂ High-Flow fueling nozzle with data interface is also available with registration acc. to NEC Class 1 Zone 1 (acc. to SAE J2601).

Complete nozzle-hose-assemblies consisting of fueling nozzle, hose set and breakaway coupling are available on request.

ACCESSORIES

The following accessories are available for the WEH® TK16 H₂ High-Flow Fueling Nozzle with Data Interface:

Filling and venting hoses

Filling and venting hose for connecting fueling nozzle and TSA1 H₂ breakaway coupling, complete with hose fittings, plastic spiral hose and cable for data interface.

Design: max. operating pressure PS: 450 bar (6,530 psi) / nominal bore DN: 6.35 mm (filling hose) resp. 2 mm (venting hose)



Part No.	Filling hose B1/B2 (female thread)	Venting hose C1/C2 (female thread)	Hose length
C1-90698	UNF 9/16"-18*	M12x1.5	3 m
C1-94428	UNF 9/16"-18*	M12x1.5	4 m
C1-94429	UNF 9/16"-18*	M12x1.5	5 m

* acc. to SAE JIC, 37°

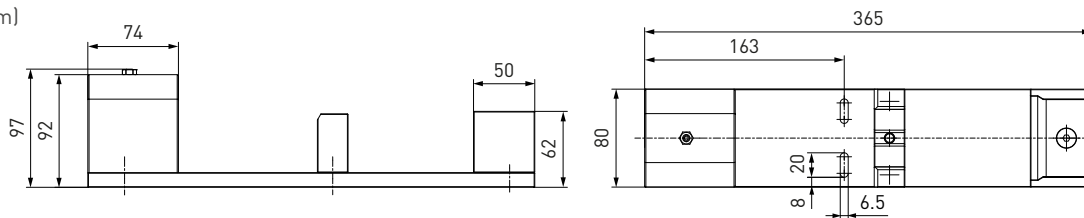
Accessories

Dispenser mounting

Mounting for safe attachment of the fueling nozzle to the dispenser. Design: Aluminium, stainless steel

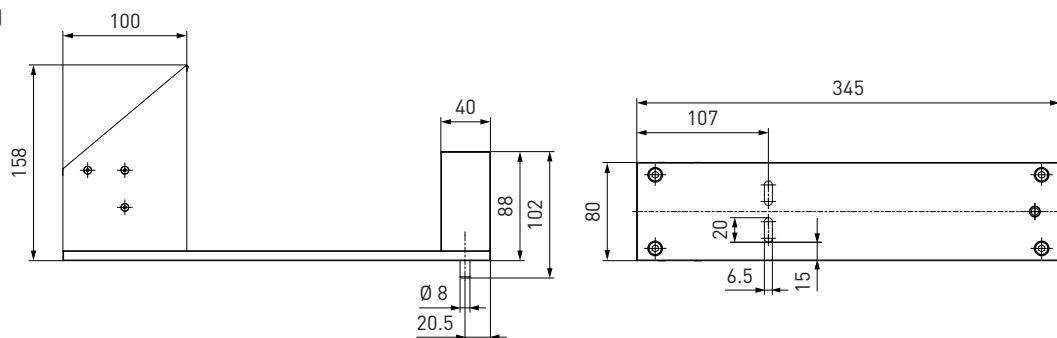
Not switch actuated mounting with protection of front sleeve

approx. dimensions (mm)



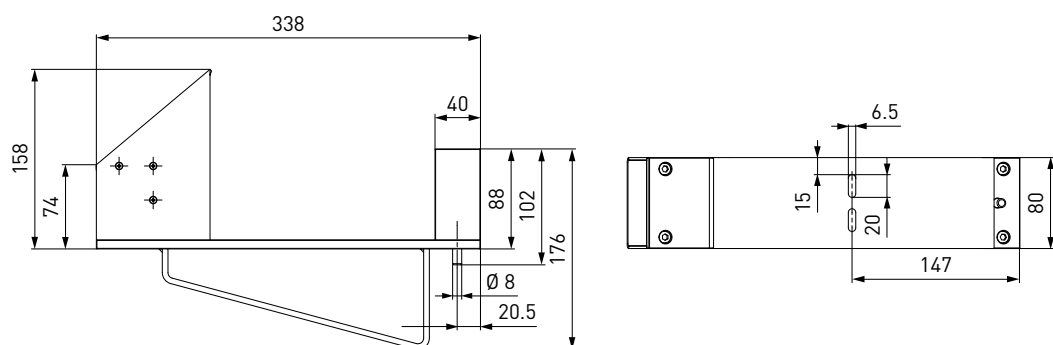
Switch actuated mounting with weather protection

approx. dimensions (mm)



Switch actuated mounting with weather protection and angle plate 15°

approx. dimensions (mm)



Part No.	Description
C1-94671	Mounting (not switch actuated) with protection of front sleeve
C1-90675	Mounting (switch actuated) with weather protection
C1-114632	Mounting (switch actuated) with weather protection and angle plate 15°

Accessories

Fittings

Stainless steel fittings for connecting port 'B1' to the filling hose resp. the port 'C2' to the venting hose are available on request.

Data cable

Data cable for connecting controller and dispenser.

Part No.	Description
E68-96193	Data cable 3.45 m

Spare parts

Various parts are available as spares for the TK16 H₂ High-Flow fueling nozzle with data interface.



Part No.	Description
W72504	1 Actuation lever
E99-44923	Maintenance spray

Other products

OTHER PRODUCTS

You will find more products in our current catalog no. 50



Further information on our homepage
www.weh.com

Abbreviations/Definition

Explanation of abbreviations see technical appendix in the catalogue or www.weh.com

Safe product selection

Our WEH® Products are designed to be operated by qualified professional users (insofar as WEH® Products are also designed to be operated by other users in individual cases, this is explicitly stated in the corresponding operating instructions). You alone are responsible for the selection of WEH® Products and their configuration according to the requirements of your system. In doing so, please particularly consider your intended use, your performance data, your material compatibility, your system concept and your system limits as well as your technical and legal requirements for operation, handling and maintenance. The quality and safety of WEH® Products is our highest priority. For this reason, WEH® Products may not be used outside the specifications in the relevant data sheets and product descriptions. We also strongly recommend that you refrain from using third-party spare parts or a combination of WEH® Products with unsuitable third-party products. You alone are responsible for reviewing the suitability of third-party products. WEH® Products and WEH® Spare parts comply with our quality and safety standards.

Explanation on the Pressure Equipment Directive

These WEH® Products are generally and exclusively classified as pressure accessories for piping in accordance with Article 2 (5) of the Pressure Equipment Directive 2014/68/EU. These WEH® Products may not be used (i) as safety accessories or (ii) for vessels as defined by the Pressure Equipment Directive 2014/68/EU. Therefore, the application of these WEH® Products must comply with their classification as pressure accessories for piping. The assessment with regard to a different classification can, however, be made on request.

External change management

WEH reserves the right to update, optimise and adjust its products continuously. This may result in corresponding changes of the product. Customers will be informed proactively or unsolicited by WEH only in individual cases about product updates, product optimisations and/or product adaptations that have been carried out. You are free to contact WEH at any time to request information about any product updates, product optimisations and/or product adjustments.

© All rights reserved, WEH GmbH. Any unauthorized use is strictly forbidden. Subject to alteration.
 No liability will be assumed for any content. Herewith previous versions are no longer valid.

» Contacting

For queries and further information, please do not hesitate to contact us.

Manufacturer:

WEH GmbH Gas Technology

Josef-Henle-Str. 1
 89257 Illertissen / Germany

Phone: +49 7303 95190-0
 Fax: +49 7303 95190-9999

Email: h2sales@weh.com
www.weh.com



Distributor US:

WEH Technologies Inc.

24903 Laguna Edge Drive
 Katy, TX 77494 / USA

Phone: +1 832 331 0021
 Fax: +1 281 712 2664

Email: sales@weh.us
www.weh.us