

Typ **TK17 H₂ 35 MPa ENR**

WEH[®] Fueling nozzle with exchangeable data interface for hydrogen fast filling
of cars at self-service fueling stations



General

DESCRIPTION



Features

- Type C nozzle acc. to SAE J2600:2002, paragraph 5.2
- Left or right single-handed operation
- Compatible with WEH® TN1 H₂ Receptacle profile
- Exchangeable data interface (ENR)
- Integrated purging line for nitrogen purging
- Prepared for dispenser mounting with purging system
- WEH® EASY-TURN 250° swivel joint
- Increased robustness in case of improper handling
- Easy operation
- High flow rate → short filling times
- Protection against impact and cold
- Plastic thermal protection
- Hand grip with magnet
- WEH® Jaw locking mechanism
- High-grade materials
- Coding for pressure range / gas type

The WEH® TK17 H₂ 35 MPa ENR Fueling nozzle with exchangeable data interface (ENR = exchangeable nozzle receiver) was developed for refueling cars with compressed, gaseous hydrogen (CGH₂).

Equipped with the same outstanding features as the WEH® TK17 H₂ 35 MPa without ENR, the fueling nozzle with ENR also has an interface (infrared) for data transfer between vehicle and fueling station, as well as a purging line for purging the nozzle with nitrogen during and after fueling process. The internal coding for pressure range and gas type prevents any risk of confusion with natural gas and other pressure ranges.

The WEH® TK17 H₂ 35 MPa ENR offers optimum safety for the operator thanks to the locking mechanism. The fueling nozzle remains connected to the receptacle until the locking mechanism is released by the operator.

Application

Fueling nozzle for hydrogen fast filling of cars at self-service fueling stations.

RECEPTACLE - pressure range/coding				
	25 MPa	35 MPa	35 MPa HF*	70 MPa
NOZZLE - pressure range/coding	25 MPa	✓	✓	✓
	35 MPa		✓	✓
	35 MPa HF*			✓
	70 MPa			✓

* HF = High-Flow

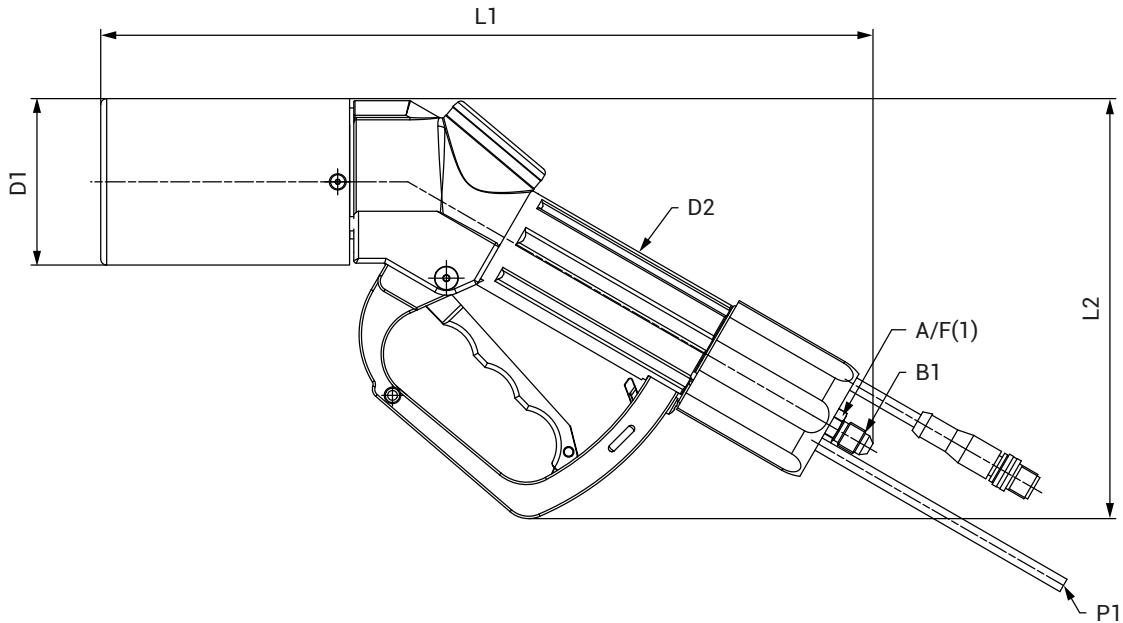
TECHNICAL DATA

Characteristics	Basic version
Nominal bore (DN)	4 mm
Pressure range	PN = 35 MPa PS = 45 MPa
Temperature range	-40 °C up to +85 °C (-40 °F up to +185 °F)
Medium note	Suitable for pre-cooled hydrogen
Material	Corrosion resistant
Sealing material	Hydrogen resistant
Nozzle type	Type C acc. to SAE J2600:2002, paragraph 5.2
Design	With plastic thermal protection, cold protection, hand grip with magnet, exchangeable data interface acc. to SAE TIR J2799 and integrated purging line
Weight	Approx. 2.4 kg (5.29 lbs.)
Medium for purging	Nitrogen
Nominal bore DN purging line	4 mm
Media temperature range purging medium	-20 °C up to +85 °C (-4 °F up to +185 °F)
Flow rate during purging	500 NI/h
Conformity / Tests / Approvals	Fueling nozzle: SAE TIR J2799, tests acc. to SAE J2600:2002 IR data interface: ATEX, NEC or KTL

Ordering / Accessories

ORDERING | WEH® TK17 H₂ 35 MPa ENR Fueling nozzle

approx. dimensions (mm)



Part no.	Description	Pressure (PN)	B1 (male thread)	L1	L2	D1	D2	A/F(1)
C1-162699	TK17 H ₂ 35 MPa ENR (ATEX IR data interface)	35 MPa	UNF 7/16"-20*	334	177	70	46	14
C1-162698	TK17 H ₂ 35 MPa ENR (NEC IR data interface)	35 MPa	UNF 7/16"-20*	334	177	70	46	14
C1-170132	TK17 H ₂ 35 MPa ENR (KTL IR data interface)	35 MPa	UNF 7/16"-20*	334	177	70	46	14

* acc. to SAE J514, 37° cone

Fueling assemblies consisting of fueling nozzle, hose set and breakaway coupling are available on request.

ACCESSORIES

The following accessories are available for the WEH® TK17 H₂ 35 MPa ENR Fueling nozzle:

Hose sets

Hose set for connecting fueling nozzle and TSA1 H₂ breakaway coupling, complete with filling hose (for pre-cooled hydrogen), data cable, purging line and braided protection hose as cover. Design filling hose: max. operating pressure PS: 45 MPa / nominal bore DN: 6 mm / temperature range: -40 °C up to +65 °C (-40 °F up to +149 °F)



Part no.	B1/B2 (female thread)	P1/P2	Hose length
E68-162702	UNF 7/16"-20*	Ø 6	3 m
E68-162703	UNF 7/16"-20*	Ø 6	4 m
E68-162704	UNF 7/16"-20*	Ø 6	5 m

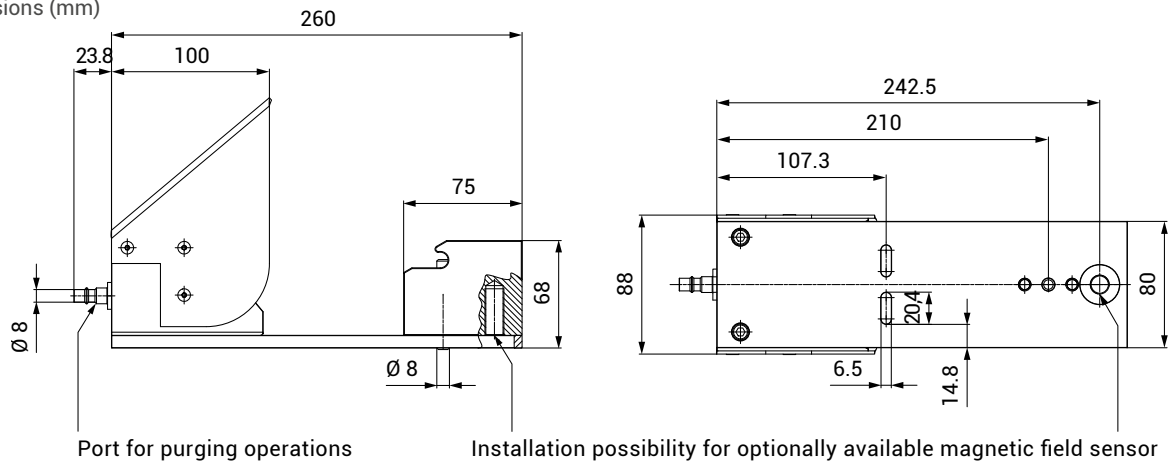
* acc. to SAE JIC, 37° sealing cone

Accessories

Dispenser mounting

Mounting for safe attachment of the fueling nozzle to the dispenser. The mounting is equipped with a port for purging operations, that allows purging of the fueling nozzle whilst not in use. Optionally a magnetic field sensor can be installed.

approx. dimensions (mm)



Part no.	Description
C1-122121	Mounting (switch actuated) with weather protection, special cover for impact protection sleeve and purging system
E68-123980	Magnetic field sensor with 2 m cable, explosion-proof acc. to ATEX

Data cable

Part no.	Description	Hose length
E68-96194	Data cable suitable for 4 m hose set	4.45 m
E68-96193	Data cable for connecting with the converter	3.45 m

Other lengths on request

TNS1 H₂ Service receptacle

To prevent damage in the fueling nozzle while purging or leak testing during maintenance in the course of which pressure is applied, we recommend the use of a service receptacle. The receptacle also protects the fueling nozzle from dirt ingress whilst not in use.



Part no.	Description
C1-148079	TNS1 H ₂ Service receptacle incl. protection cap

Spare parts

SPARE PARTS

Various parts are available as spares for the WEH® TK17 H₂ 35 MPa ENR Fueling nozzle.



Part No.	Description
W137968	1 Impact protection sleeve (incl. 3 countersunk screws)
W137969	2 ATEX IR data interface (incl. 3 cylinder screws, 3 countersunk screws and o-ring)
W140915	2 NEC IR data interface (incl. 3 cylinder screws, 3 countersunk screws and o-ring)
W166319	2 KTL IR data interface (incl. 3 cylinder screws, 3 countersunk screws and o-ring)
E80-84030	3 Locking lever
E69-161748	4 Logo cap
E80-59738	4 Label plate
E80-162272	5 Plastic thermal protection (cold protection)
E99-44923	Maintenance spray

When ordering please specify the part no. engraved on the fueling nozzle.

Other products

OTHER PRODUCTS

You will find more products in our current catalog no. 50

Further information on our homepage

www.weh.us

**Illustrations**

The illustrations and/or images used in this data sheet are particularly provided for illustrative purposes only and may differ in some details from the actual product. For binding information, please refer to your individual orders.

Abbreviations/Definition

Explanation of abbreviations see technical appendix in the catalog or www.weh.com

Safe product selection

Our WEH® Products are designed to be operated by qualified professional users (insofar as WEH® Products are also designed to be operated by other users in individual cases, this is explicitly stated in the corresponding operating instructions). Please note that WEH does not know your system and therefore - also due to the large number of different potential applications of WEH® Products - cannot perform tests on all potential types of application. You alone are responsible for the selection, configuration and suitability of WEH® Products, especially according to the requirements of your system. Before purchasing WEH® Products, please particularly ensure that our products are compatible with your intended use, your performance data, your material and fluids, your system concept and your system limits according to our product specifications. Please also consider your technical and legal requirements for operation, handling and maintenance. The quality and safety of WEH® Products is our highest priority. For this reason, WEH® Products may not be used outside the specifications in the relevant data sheets and product descriptions. If you are not sure whether the WEH® Product is suitable for your system and intended use, please contact us in advance. We also strongly recommend that you refrain from using third-party spare parts or a combination of WEH® Products with unsuitable third-party products. You alone are responsible for reviewing the suitability of third-party products. WEH® Products and WEH® Spare parts comply with our quality and safety standards.

Explanation on the Pressure Equipment Directive

These WEH® Products are generally classified as pressure accessories in accordance with Article 2 (5) of the Pressure Equipment Directive 2014/68/EU and are considered to be similar to piping. These WEH® Products may not be used as safety accessories. Furthermore, it is pointed out, that these WEH® Products are designed and placed on the market in accordance with the requirements of Article 4 (3) of the Pressure Equipment Directive 2014/68/EU. The assessment with regard to a different classification can, however, be made on request.

External change management

WEH reserves the right to update, optimise and adjust its products continuously. This may result in corresponding changes of the product. Customers will be informed proactively or unsolicited by WEH only in individual cases about product updates, product optimisations and/or product adaptations that have been carried out. You are free to contact WEH at any time to request information about any product updates, product optimisations and/or product adjustments.

© All rights reserved, WEH GmbH. Any unauthorized use is strictly forbidden. Subject to alteration.

No liability will be assumed for any content. Herewith previous versions are no longer valid.

» Contact

More questions? – Great! Don't hesitate to contact our experts.

Manufacturer:

WEH GmbH Gas Technology
Josef-Henle-Str. 1
89257 Illertissen / Germany

Phone: +49 7303 95190-0
E-Mail: h2sales@weh.com
Website: www.weh.com

Distributor US:

WEH Technologies Inc.
24903 Laguna Edge Drive
Katy, TX 77494 / USA

Phone: +1 832 331 0021
E-Mail: sales@weh.us
Website: www.weh.us