

Type **TW03**

WEH[®] Connector for pressure and vacuum testing

of components with female thread



General

DESCRIPTION



Features

- Pressure-tight connections by hand-tightening
- Simple seal replacement
- Ergonomic design
- High-grade materials

The WEH® TW03 Quick connector is especially designed for testing components with female threads. Only hand-tighten the connector into the thread until the o-ring seal contacts the test piece. The TW03 seals without wrenches, sealants or tape. NBR seals meet most industrial requirements. WEH® TW03 is available as a connector with media inlet, with or without a swivel joint and as a plug. In addition to our standard versions, we also offer customer-tailored solutions e.g. for sealing on round surfaces or for higher pressure ranges up to 10,000 psi. Please contact us!

Application

Quick connector for pressure and vacuum testing of components with female thread, e.g. fittings, fixtures, tubes, boilers, tanks, radiators, etc.

TECHNICAL DATA

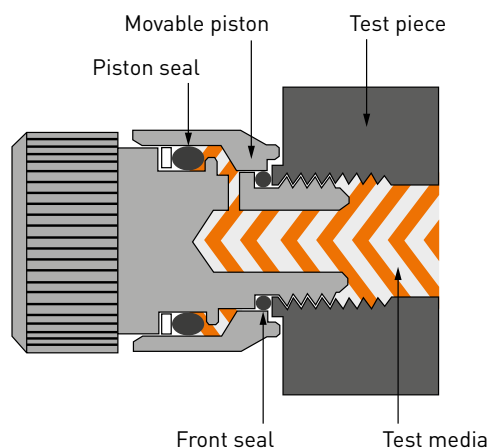
Characteristics	Basic version
Operating pressure PS	Vacuum up to max. 5,000 psi
Temperature range	+41 °F up to +176 °F
Leak rate	1×10^{-3} mbar x l/s
Material	Corrosion resistant stainless steel
Sealing material	NBR

Other designs on request

Example of use:



Construction of TW03 (plug for female thread):

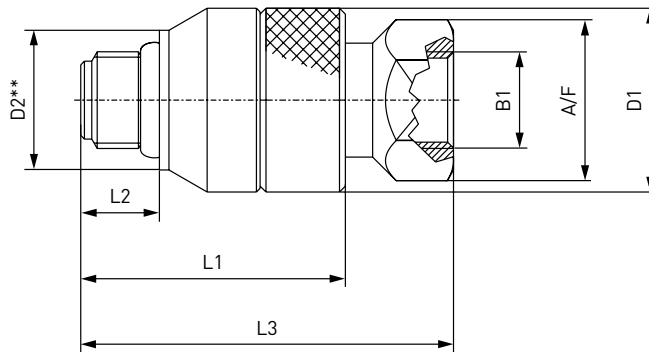


Ordering

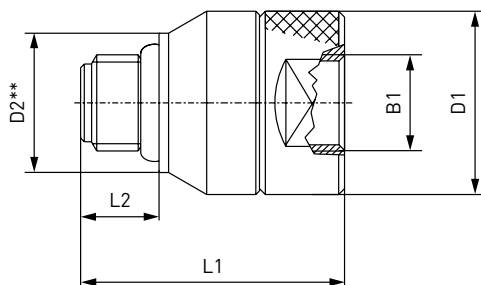
ORDERING | WEH® TW03 Quick connector

approx. dimensions (mm)

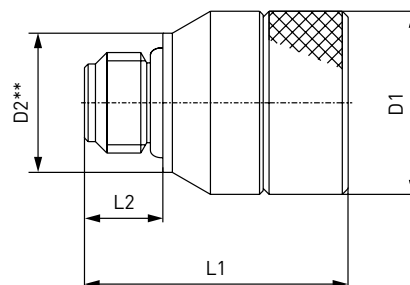
Connector with media inlet and swivel joint



Connector with media inlet



Plug



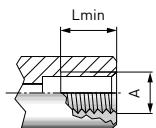
Body size	Inlet B1 (female thread)	D1	L1	L2	L3	A/F
1	G1/8"	20.5	33.0	10.5	47.5	17
2	G1/4"	25.0	36.0	11.0	52.0	19
3	G3/8"	30.0*	39.5	11.0	57.5	24
4	G1/2"	35.0	47.5	14.5	71.0	30
5	G3/4"	43.0	50.5	16.0	76.0	36
6	G1"	50.0	60.0	18.0	92.0	41
7	G1 1/4"	60.0	55.0	19.5	84.5	50
8	G1 1/2"	70.0	62.0	19.5	94.5	60
9	G1 1/2"	82.0	70.0	21.0	101.0	75

* exception: D1 = 33.0 for M18x1.5

** Please refer to the ordering tables for diameter D2

Ordering

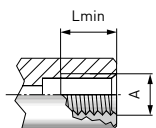
Metric ISO thread to DIN 13 - acc. to DIN 3852 part 1, form X and Y



Part No.			Body size	Thread A (female thread)	Max. operating pressure (PS)	D2	Lmin*
Connector with swivel joint	Connector	Plug					
C1-12117	C1-12116	C1-12115	1	M10x1.0	5,000 psi	15.0	7.0
C1-12142	C1-12119	C1-12118	1	M10x1.5	5,000 psi	15.0	7.0
C1-12143	C1-12121	C1-12120	2	M12x1.0	5,000 psi	18.0	7.0
C1-12125	C1-12124	C1-12122	2	M12x1.5	5,000 psi	18.0	9.5
C1-12127	C1-12126	C1-11944	2	M14x1.5	5,000 psi	20.0	9.5
C1-12128	C1-12061	C1-12062	3	M16x1.5	4,000 psi	22.0	10.5
C1-12131	C1-12130	C1-12129	3	M18x1.5	4,000 psi	24.0	10.5
C1-12141	C1-12133	C1-12132	4	M20x1.5	4,000 psi	28.0	10.5
C1-12136	C1-12135	C1-12134	4	M22x1.5	4,000 psi	28.0	10.5
C1-12144	C1-12138	C1-12137	5	M24x1.5	4,000 psi	38.0	11.0
C1-12145	C1-12140	C1-12139	5	M26x1.5	4,000 psi	38.0	11.0

* Lmin: minimum thread length

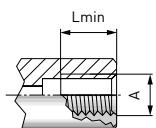
Whitworth tube thread to DIN EN ISO 228-1 - acc. to DIN 3852 part 2, form X and Y



Part No.			Body size	Thread A (female thread)	Max. operating pressure (PS)	D2	Lmin*
Connector with swivel joint	Connector	Plug					
C1-11822	C1-11821	C1-11820	1	G1/8"	5,000 psi	15.0	7.0
C1-11825	C1-11824	C1-11823	2	G1/4"	5,000 psi	19.0	9.5
C1-11828	C1-11827	C1-11826	3	G3/8"	4,000 psi	22.0	10.5
C1-11831	C1-11830	C1-11829	4	G1/2"	4,000 psi	28.0	10.5
C1-11834	C1-11833	C1-11832	5	G3/4"	4,000 psi	38.0	11.0
C1-11837	C1-11836	C1-11835	6	G1"	4,000 psi	44.0	12.5
C1-11840	C1-11839	C1-11838	7	G1 1/4"	4,000 psi	54.0	19.5
C1-11843	C1-11842	C1-11841	8	G1 1/2"	3,000 psi	61.0	19.5
C1-17163	C1-17162	C1-17161	9	G2"	2,500 psi	73.5	21.0

* Lmin: minimum thread length

NPT thread (ANSI/ASME B1.20.1-1983) - acc. to SAE J476a

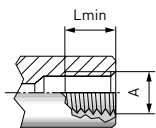


Part No.			Body size	Thread A (female thread)	Max. operating pressure (PS)	D2	Lmin*
Connector with swivel joint	Connector	Plug					
C1-17152	C1-12224	C1-12223	1	1/8" NPT	5,000 psi	15.0	7.0
C1-17153	C1-12233	C1-12234	2	1/4" NPT	5,000 psi	19.0	9.5
C1-17154	C1-12235	C1-12236	3	3/8" NPT	4,000 psi	22.0	10.5
C1-17155	C1-12239	C1-12238	4	1/2" NPT	4,000 psi	28.0	10.5
C1-17156	C1-12240	C1-12243	5	3/4" NPT	4,000 psi	38.0	11.0
C1-17157	C1-12242	C1-12244	6	1" NPT	4,000 psi	44.0	12.5

* Lmin: minimum thread length

Ordering

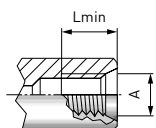
BSPT (tapered Whitworth tube thread) - acc. to DIN 3852 part 2, form X and Y



Part No.			Body size	Thread A (female thread)	Max. operating pressure (PS)	D2	Lmin*
Connector with swivel joint	Connector	Plug					
C1-75261	C1-16709	C1-16710	1	1/8" BSPT	5,000 psi	15.0	7.0
C1-90404	C1-13453	C1-54605	2	1/4" BSPT	5,000 psi	19.0**	9.5
C1-119813	C1-74076	C1-42884	3	3/8" BSPT	4,000 psi	22.0	10.5
C1-42875	C1-74077	C1-42886	4	1/2" BSPT	4,000 psi	28.0	10.5
C1-119814	C1-80239	C1-42887	5	3/4" BSPT	4,000 psi	38.0	11.0
C1-42876	C1-17229	C1-42888	6	1" BSPT	4,000 psi	44.0	12.5

* Lmin: minimum thread length
 ** exception: D2 = 18.0 for C1-54605

SAE-O-Ring Boss - acc. to SAE J1926 / ISO 11926



Part No.			Body size	Thread A (UNF/UN female thread)	Max. operating pressure (PS)	D2	Lmin*
Connector with swivel joint	Connector	Plug					
C1-32200	C1-13181	C1-12485	1	-3 (3/8"-24)	5,000 psi	15.0	7.0
C1-32201	C1-13182	C1-12486	1	-4 (7/16"-20)	5,000 psi	15.0	7.0
C1-32202	C1-13183	C1-12487	2	-5 (1/2"-20)	5,000 psi	19.0	9.5
C1-32203	C1-12392	C1-12488	2	-6 (9/16"-18)	5,000 psi	20.0	9.5
C1-32204	C1-12394	C1-12489	4	-8 (3/4"-16)	4,000 psi	28.0	10.5
C1-90449	C1-12393	C1-12490	4	-10 (7/8"-14)	4,000 psi	28.0	10.5
C1-103895	C1-12395	C1-12493	5	-12 (1 1/16"-12)	4,000 psi	38.0	11.0
C1-32207	C1-13184	C1-12494	6	-16 (1 5/16"-12)	4,000 psi	44.0	11.0

* Lmin: minimum thread length

Other connector sizes and versions on request.

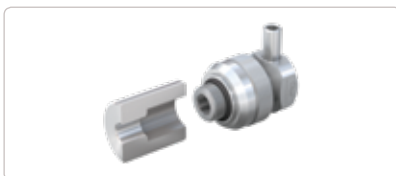
Required information for ordering see page 9, catalog no. 35.

SPECIAL SOLUTIONS

Examples:



TW03 with extension



TW03 with 90° lateral port



TW03 for round surfaces

Other products

OTHER PRODUCTS

You will find more products in our current catalog no. 35



Further information on our homepage
www.weh.com

Abbreviations/Definition

Explanation of abbreviations see technical appendix in the catalogue or www.weh.com

Safe product selection

Our WEH® Products are designed to be operated by qualified professional users (insofar as WEH® Products are also designed to be operated by other users in individual cases, this is explicitly stated in the corresponding operating instructions). You alone are responsible for the selection of WEH® Products and their configuration according to the requirements of your system. In doing so, please particularly consider your intended use, your performance data, your material compatibility, your system concept and your system limits as well as your technical and legal requirements for operation, handling and maintenance. The quality and safety of WEH® Products is our highest priority. For this reason, WEH® Products may not be used outside the specifications in the relevant data sheets and product descriptions. We also strongly recommend that you refrain from using third-party spare parts or a combination of WEH® Products with unsuitable third-party products. You alone are responsible for reviewing the suitability of third-party products. WEH® Products and WEH® Spare parts comply with our quality and safety standards.

Explanation on the Pressure Equipment Directive

These WEH® Products are generally and exclusively classified as pressure accessories for piping in accordance with Article 2 (5) of the Pressure Equipment Directive 2014/68/EU. These WEH® Products may not be used (i) as safety accessories or (ii) for vessels as defined by the Pressure Equipment Directive 2014/68/EU. Therefore, the application of these WEH® Products must comply with their classification as pressure accessories for piping. The assessment with regard to a different classification can, however, be made on request.

External change management

WEH reserves the right to update, optimise and adjust its products continuously. This may result in corresponding changes of the product. Customers will be informed proactively or unsolicited by WEH only in individual cases about product updates, product optimisations and/or product adaptations that have been carried out. You are free to contact WEH at any time to request information about any product updates, product optimisations and/or product adjustments.

© All rights reserved, WEH GmbH. Any unauthorized use is strictly forbidden. Subject to alteration.
No liability will be assumed for any content. Herewith previous versions are no longer valid.

» Contacting

For queries and further information, please do not hesitate to contact us.

Manufacturer:

WEH GmbH Precision Connectors

Josef-Henle-Str. 1
89257 Illertissen / Germany

Phone: +49 7303 9609-0
Fax: +49 7303 9609-9999

Email: sales@weh.com
www.weh.com