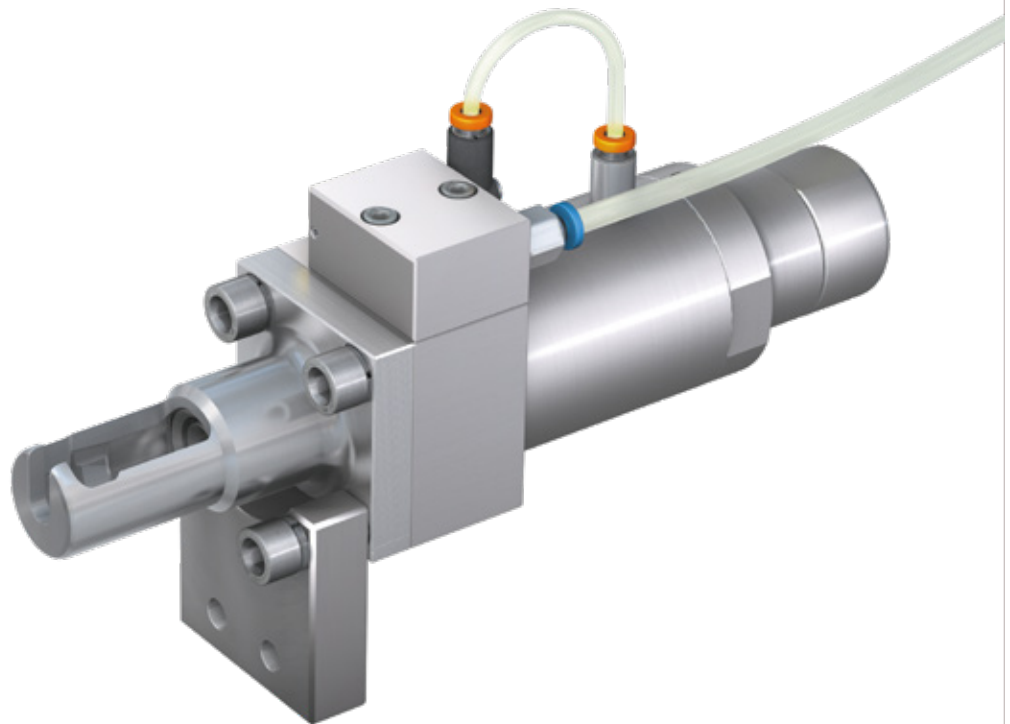


# Type **TW130**

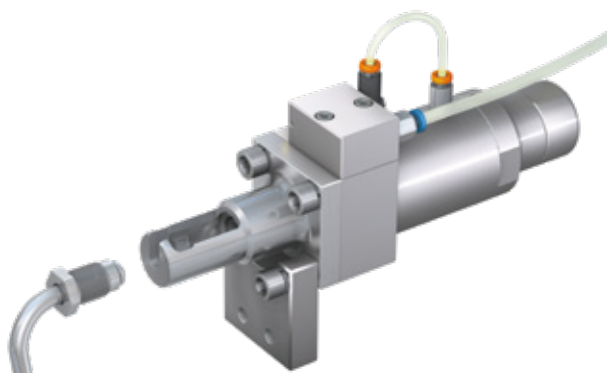
**WEH<sup>®</sup> Connector for pressure and function testing**

of components with banjo tube connection, hose and tube connection with sleeve nut



## General

### DESCRIPTION



#### Features

- Connection in seconds
- No hand tightening required
- Testing of high quantities
- Suitable for automated testing
- Robust construction

The WEH® TW130 Quick connector has been developed specially for testing components with banjo tube connections, hose and tube connections with sleeve nuts and similar configurations.

The compact design and ease of operation enables cost-effective testing, even for high quantities. The connector is equipped with pneumatic valve actuation, a customer-tailored steel test piece holder and if required a retaining plate.

The WEH® TW130 is rated for a pressure range up to max. 5,000 psi. Automation is possible. Special versions, e.g. multi-connectors etc. are also available on request.

#### Application

Quick connector for pressure and function testing of components with banjo tube connection, hose and tube connection with sleeve nut, e.g. for heat exchangers, high pressure hoses etc.

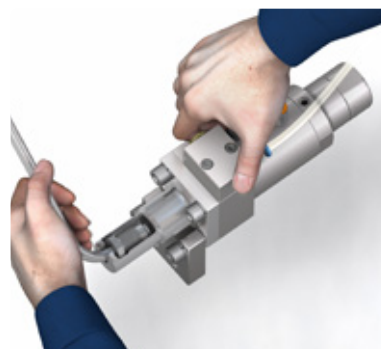
### TECHNICAL DATA

Characteristics	Basic version
Operating pressure PS	Max. 5,000 psi
Pilot pressure	Max. 90 - 115 psi
Pilot pressure port P1	G1/8" female thread
Temperature range*	+14 °F up to +176 °F
Medium	Air, water, mineral oils, helium
Actuation	Pneumatic actuation via valve head. Automation possible.
Material	Base unit: Corrosion resistant stainless steel, anodized aluminium
Sealing material	NBR

\* The values of the temperature ranges quoted apply for common hydraulic oils, for other media please contact us!

Other designs on request

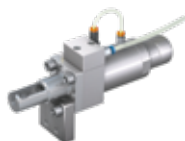
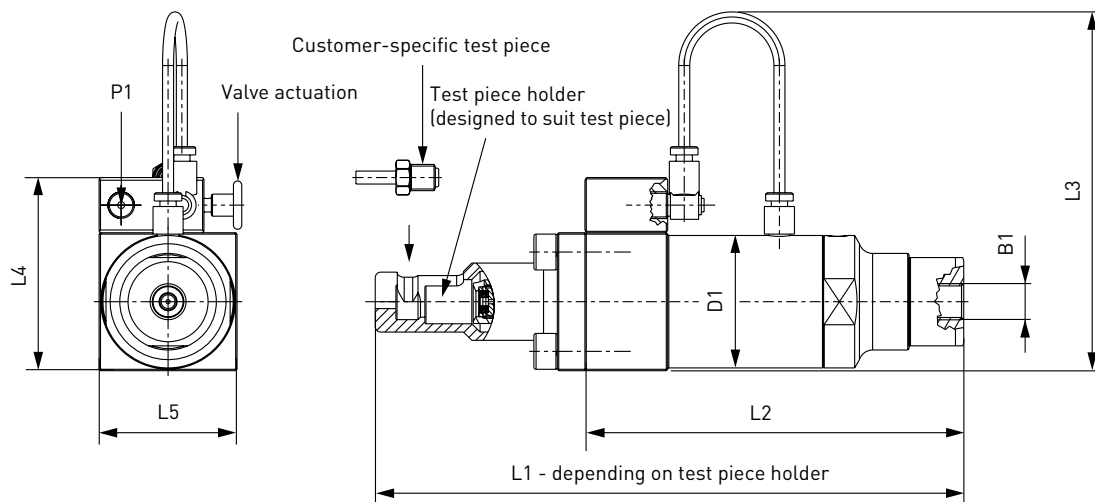
#### Example of use:



**Ordering / Accessories**

**ORDERING** | WEH® TW130 Quick connector

approx. dimensions (mm)



Part No.	Body size	Inlet B1 (female thread)	D1	L2	L3	L4	L5
On request	1	G1/4"	48.0	137.5	130.0	70.0	50.0
On request	2	G1/4"	62.0	137.5	140.0	84.0	64.0

Please send us your enquiry together with the corresponding test piece!

Other connector sizes and versions on request.

Required information for ordering see page 9, catalog no. 35.

**ACCESSORIES**

The following accessories are available for the WEH® TW130:

**Fixturing parts**

A retaining plate is also available for ease of clamping the TW130 to test bench. Please contact us!

## Other products

### OTHER PRODUCTS

You will find more products in our current catalog no. 35



Further information on our homepage  
[www.weh.com](http://www.weh.com)

#### Abbreviations/Definition

Explanation of abbreviations see technical appendix in the catalogue or [www.weh.com](http://www.weh.com)

#### Safe product selection

Our WEH® Products are designed to be operated by qualified professional users (insofar as WEH® Products are also designed to be operated by other users in individual cases, this is explicitly stated in the corresponding operating instructions). You alone are responsible for the selection of WEH® Products and their configuration according to the requirements of your system. In doing so, please particularly consider your intended use, your performance data, your material compatibility, your system concept and your system limits as well as your technical and legal requirements for operation, handling and maintenance. The quality and safety of WEH® Products is our highest priority. For this reason, WEH® Products may not be used outside the specifications in the relevant data sheets and product descriptions. We also strongly recommend that you refrain from using third-party spare parts or a combination of WEH® Products with unsuitable third-party products. You alone are responsible for reviewing the suitability of third-party products. WEH® Products and WEH® Spare parts comply with our quality and safety standards.

#### Explanation on the Pressure Equipment Directive

These WEH® Products are generally and exclusively classified as pressure accessories for piping in accordance with Article 2 (5) of the Pressure Equipment Directive 2014/68/EU. These WEH® Products may not be used (i) as safety accessories or (ii) for vessels as defined by the Pressure Equipment Directive 2014/68/EU. Therefore, the application of these WEH® Products must comply with their classification as pressure accessories for piping. The assessment with regard to a different classification can, however, be made on request.

#### External change management

WEH reserves the right to update, optimise and adjust its products continuously. This may result in corresponding changes of the product. Customers will be informed proactively or unsolicited by WEH only in individual cases about product updates, product optimisations and/or product adaptations that have been carried out. You are free to contact WEH at any time to request information about any product updates, product optimisations and/or product adjustments.

© All rights reserved, WEH GmbH. Any unauthorized use is strictly forbidden. Subject to alteration.  
No liability will be assumed for any content. Herewith previous versions are no longer valid.

### » Contacting

For queries and further information, please do not hesitate to contact us.

Manufacturer:

**WEH GmbH Precision Connectors**

Josef-Henle-Str. 1  
89257 Illertissen / Germany

Phone: +49 7303 9609-0  
Fax: +49 7303 9609-9999

Email: [sales@weh.com](mailto:sales@weh.com)  
[www.weh.com](http://www.weh.com)