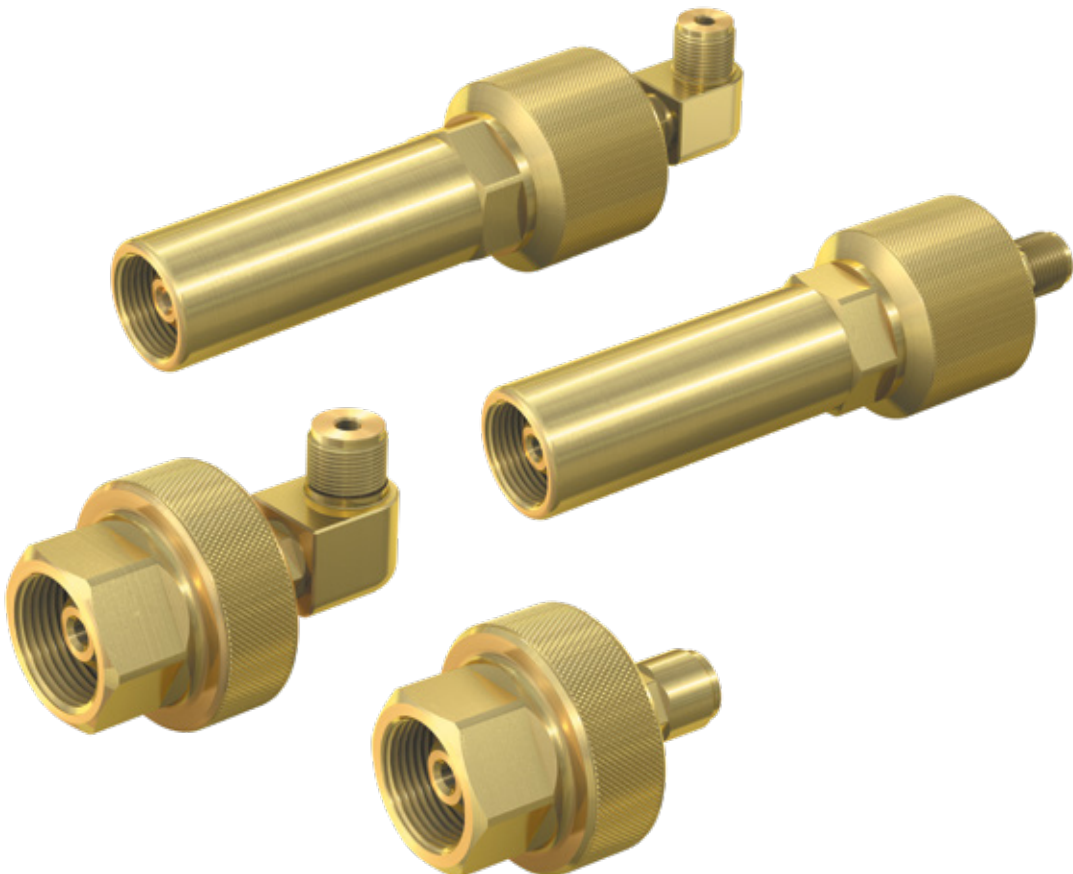


# Type **TW67**

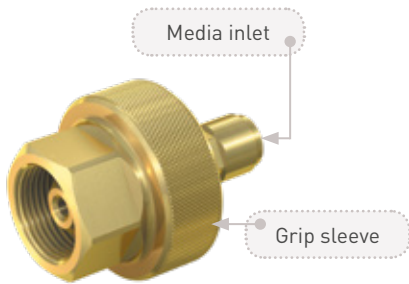
## **WEH**<sup>®</sup> Connector for filling of gas cylinders

with external thread and with or without a residual pressure valve (pallet and bundle filling)



General

**DESCRIPTION**



**Features**

- Version for residual pressure valves or non-residual pressure valves available
- Suitable for pallet and bundle filling
- Inline or 90° version available
- Compact design
- High-grade materials

The type TW67 manual connector for external threads is simply screwed onto the cylinder valve and the pressure-tight connection is made.

The Type TW67 is available in four different designs: short version for pallet filling or extended version for bundle filling, inline version or 90° version. All connector configurations are available for cylinder valves with or without a residual pressure valve.



TW67 - inline  
pallet filling



TW67 - 90°  
pallet filling



TW67 - inline  
bundle filling



TW67 - 90°  
bundle filling

**Application**

Manual connector for filling of gas cylinders with external thread and with or without a residual pressure valve (pallet and bundle filling).

**TECHNICAL DATA**

Characteristic	Basic version
Pressure range	PN = 200 bar   PS = 250 bar   PT = 375 bar PN = 300 bar   PS = 375 bar   PT = 565 bar
Temperature range	+5 °C up to +80 °C +5 °C up to +60 °C (O <sub>2</sub> )
Connection A (cylinder valve)	External thread connection acc. to the corresponding national standard e.g. DIN, CEN, CGA, BS, NF etc.
Medium	Inert/flammable gases, oxygen, argon, nitrogen
Actuation	Manual actuation via grip sleeve
Material	Brass
Sealing material	Acc. to gas type
Abfüllung	Pallet filling, bundle filling
Registration	Adiabatic ignition test available

Other designs on request

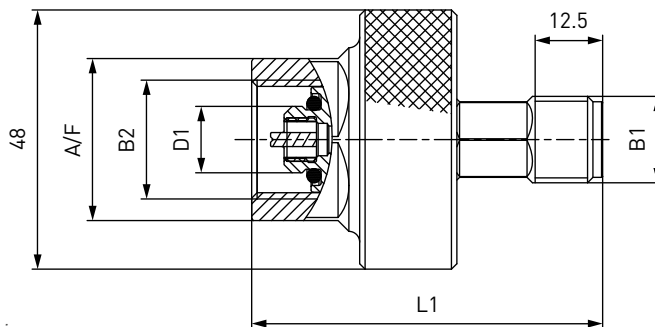
**Example of use:**



Ordering

**ORDERING** | Manual connector TW67 with inline media inlet - pallet filling

approx. dimensions (mm)



Example: TW67 with RPV pin



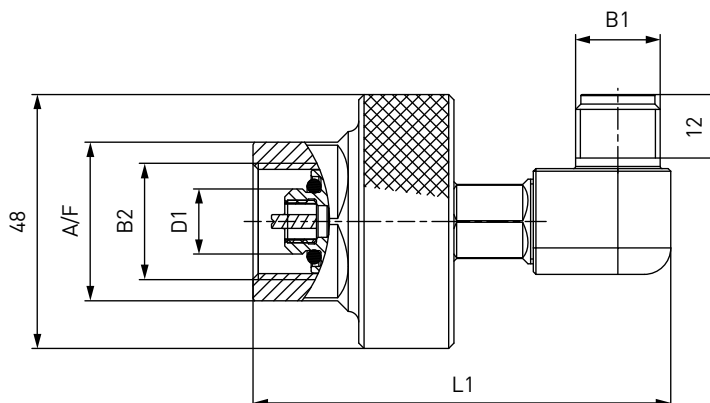
Part No.	Connection B2 (internal thread)	Inlet B1 (external thread)	Pressure (PN)	Medium	D1	L1	A/F
<b>C1-94962-X01</b>	W21,8 x1/14" DIN 477 Part 1	M16x1.5	200 bar	Argon	12.3	65	30
<b>C1-95028</b>	W21,8 x1/14"-LH DIN 477 Part 1	M16x1.5	200 bar	Flammable gases	12.3	65	30
<b>C1-94992</b>	W24,32 x1/14" DIN 477 Part 1	M16x1.5	200 bar	Nitrogen	12.3	65	30
<b>C1-95039</b>	W30x2 ISO 5145 1.FTSC Code 0170	M16x1.5	300 bar	Inert gases	15.9	68	36
<b>C1-94996-X01</b>	G3/4" DIN 477 Part 1	M16x1.5	200 bar	Oxygen	13.5	65	32
<b>C1-98091</b>	W30x2 ISO 5145 1.FTSC Code 4070	M16x1.5	300 bar	Oxygen	17.3	68	36
<b>C1-94998*</b>	W21,8 x1/14" DIN 477 Part 1	M16x1.5	200 bar	Argon	12.3	65	30
<b>C1-95063*</b>	W21,8 x1/14"-LH DIN 477 Part 1	M16x1.5	200 bar	Flammable gases	12.3	65	30
<b>C1-94983-X01*</b>	W24,32 x1/14" DIN 477 Part 1	M16x1.5	200 bar	Nitrogen	12.3	65	30
<b>C1-95220*</b>	W30x2 ISO 5145 1.FTSC Code 0170	M16x1.5	300 bar	Inert gases	15.9	68	36
<b>C1-94995-X01*</b>	G3/4" DIN 477 Part 1	M16x1.5	200 bar	Oxygen	13.5	65	32
<b>C1-98090*</b>	W30x2 ISO 5145 1.FTSC Code 4070	M16x1.5	300 bar	Oxygen	17.3	68	36

\* with RPV pin

Ordering

**ORDERING** | Manual connector TW67 with 90° media inlet - pallet filling

approx. dimensions (mm)



Example: TW67 with RPV pin



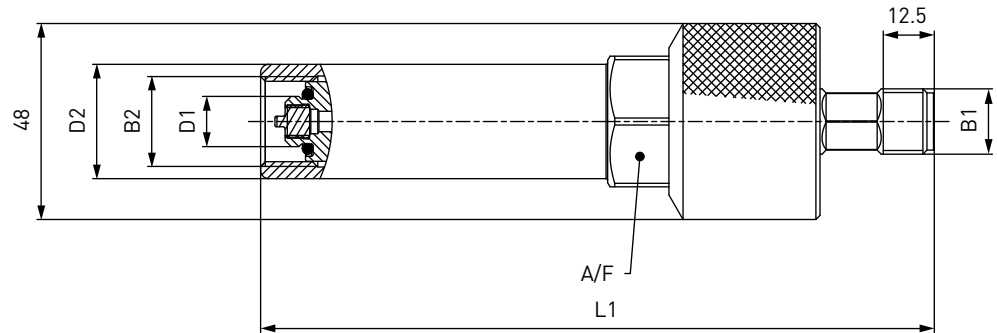
Part No.	Connection B2 (internal thread)	Inlet B1 (external thread)	Pressure (PN)	Medium	D1	L1	A/F
<b>C1-93019-X01</b>	W21,8 x1/14" DIN 477 Part 1	M16x1.5	200 bar	Argon	12.3	79	30
<b>C1-92813-X01</b>	W21,8 x1/14" -LH DIN 477 Part 1	M16x1.5	200 bar	Flammable gases	12.3	79	30
<b>C1-92986-X01</b>	W24,32 x1/14" DIN 477 Part 1	M16x1.5	200 bar	Nitrogen	12.3	79	30
<b>C1-94098-X01</b>	W30x2 ISO 5145 1.FTSC Code 0170	M16x1.5	300 bar	Inert gases	15.9	82	36
<b>C1-93043-X01</b>	G3/4" DIN 477 Part 1	M16x1.5	200 bar	Oxygen	13.5	78	32
<b>C1-98089-X01</b>	W30x2 ISO 5145 1.FTSC Code 4070	M16x1.5	300 bar	Oxygen	17.3	82	36
<b>C1-93023-X01*</b>	W21,8 x1/14" DIN 477 Part 1	M16x1.5	200 bar	Argon	12.3	79	30
<b>C1-92855*</b>	W21,8 x1/14" -LH DIN 477 Part 1	M16x1.5	200 bar	Flammable gases	12.3	79	30
<b>C1-93009-X01*</b>	W24,32 x1/14" DIN 477 Part 1	M16x1.5	200 bar	Nitrogen	12.3	79	30
<b>C1-95221-X01*</b>	W30x2 ISO 5145 1.FTSC Code 0170	M16x1.5	300 bar	Inert gases	15.9	82	36
<b>C1-93047-X01*</b>	G3/4" DIN 477 Part 1	M16x1.5	200 bar	Oxygen	13.5	79	32
<b>C1-99758-X01*</b>	W30x2 ISO 5145 1.FTSC Code 4070	M16x1.5	300 bar	Oxygen	17.3	82	36

\* with RPV pin

Ordering

**ORDERING** | Manual connector TW67 with inline media inlet - bundle filling

approx. dimensions (mm)



Example: TW67 with RPV pin



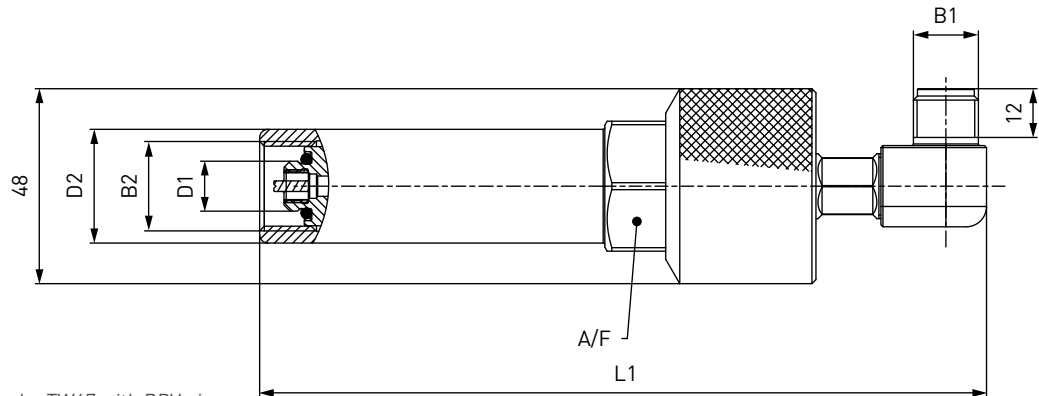
Part No.	Connection B2 (internal thread)	Inlet B1 (external thread)	Pressure (PN)	Medium	D1	D2	L1	A/F
<b>C1-95101</b>	W21,8 x1/14" DIN 477 Part 1	M16x1.5	200 bar	Argon	12.3	28	164	32
<b>C1-95194</b>	W21,8 x1/14"-LH DIN 477 Part 1	M16x1.5	200 bar	Flammable gases	12.3	28	164	32
<b>C1-95202</b>	W24,32 x1/14" DIN 477 Part 1	M16x1.5	200 bar	Nitrogen	12.3	30	164	32
<b>C1-95111-X01</b>	W30x2 ISO 5145 1.FTSC Code 0170	M16x1.5	300 bar	Inert gases	15.9	38	157	38
<b>C1-95216</b>	G3/4" DIN 477 Part 1	M16x1.5	200 bar	Oxygen	13.5	32	164	32
<b>C1-98092</b>	W30x2 ISO 5145 1.FTSC Code 4070	M16x1.5	300 bar	Oxygen	17.3	38	157	38
<b>C1-95110*</b>	W21,8 x1/14" DIN 477 Part 1	M16x1.5	200 bar	Argon	12.3	28	165	32
<b>C1-95196*</b>	W21,8 x1/14"-LH DIN 477 Part 1	M16x1.5	200 bar	Flammable gases	12.3	28	165	32
<b>C1-95199*</b>	W24,32 x1/14" DIN 477 Part 1	M16x1.5	200 bar	Nitrogen	12.3	30	165	32
<b>C1-95223*</b>	W30x2 ISO 5145 1.FTSC Code 0170	M16x1.5	300 bar	Inert gases	15.9	38	167	38
<b>C1-95219*</b>	G3/4" DIN 477 Part 1	M16x1.5	200 bar	Oxygen	13.5	32	165	32
<b>C1-98093*</b>	W30x2 ISO 5145 1.FTSC Code 4070	M16x1.5	300 bar	Oxygen	17.3	38	157	38

\* with RPV pin

Ordering

**ORDERING** | Manual connector TW67 with 90° media inlet - bundle filling

approx. dimensions (mm)



Example: TW67 with RPV pin



Part No.	Connection B2 (internal thread)	Inlet B1 (external thread)	Pressure (PN)	Medium	D1	D2	L1	A/F
<b>C1-95081-X01</b>	W21,8 x1/14" DIN 477 Part 1	M16x1.5	200 bar	Argon	12.3	28	178	32
<b>C1-95195-X01</b>	W21,8 x1/14" -LH DIN 477 Part 1	M16x1.5	200 bar	Flammable gases	12.3	28	178	32
<b>C1-95203-X01</b>	W24,32 x1/14" DIN 477 Part 1	M16x1.5	200 bar	Nitrogen	12.3	30	178	32
<b>C1-95080-X01</b>	W30x2 ISO 5145 1.FTSC Code 0170	M16x1.5	300 bar	Inert gases	15.9	38	173	38
<b>C1-95215-X01</b>	G3/4" DIN 477 Part 1	M16x1.5	200 bar	Oxygen	13.5	32	178	32
<b>C1-98094-X01</b>	W30x2 ISO 5145 1.FTSC Code 4070	M16x1.5	300 bar	Oxygen	17.3	38	171	38
<b>C1-95082-X01*</b>	W21,8 x1/14" DIN 477 Part 1	M16x1.5	200 bar	Argon	12.3	28	179	32
<b>C1-95197*</b>	W21,8 x1/14" -LH DIN 477 Part 1	M16x1.5	200 bar	Flammable gases	12.3	28	179	32
<b>C1-95198-X01*</b>	W24,32 x1/14" DIN 477 Part 1	M16x1.5	200 bar	Nitrogen	12.3	30	179	32
<b>C1-95224-X01*</b>	W30x2 ISO 5145 1.FTSC Code 0170	M16x1.5	300 bar	Inert gases	15.9	38	171	32
<b>C1-95218-X01*</b>	G3/4" DIN 477 Part 1	M16x1.5	200 bar	Oxygen	13.5	32	179	32
<b>C1-98095-X01*</b>	W30x2 ISO 5145 1.FTSC Code 4070	M16x1.5	300 bar	Oxygen	17.3	38	171	38

\* with RPV pin

Other connector sizes and versions on request.

Required information for ordering see page 7, catalogue no. 20.

Accessories

**ACCESSORIES**

The following accessories are available for type TW67:

**Swivel joint TD1**

The TD1 swivel joint prevents twisting of the hose and enables the axial aligning of the connector.



Part No.	Description	Inlet B1 (external thread)	Connection B2 (internal thread)
<b>On request</b>	TD1	M16x1.5	M16x1.5

**Quick release coupling TK350-TN350**

Quick release system for a quick and easy changeover of type TW67, whether for repair, to another type or a change from residual pressure to non-residual pressure cylinder valves.



Part No.	Description	Inlet B1 (external thread)	Connection B2 (internal thread)
<b>C1-91242-X01</b>	TK350-TN350	M16x1.5	M16x1.5

**Grip extension with o-ring**



Part No.	Description	Inlet B1 (external thread)	Connection B2 (internal thread)
<b>W95076</b>	Grip extension 50 mm	M16x1.5	M16x1.5
<b>W104260</b>	Grip extension 132 mm	M16x1.5	M16x1.5
<b>W95332</b>	Grip extension 231 mm	M16x1.5	M16x1.5

**Adaptors**

Adaptors for connecting the manual connector to the filling hose are available on request.

## Other products

## OTHER PRODUCTS

You will find more products in our current catalogue no. 20



Further information on our homepage  
[www.weh.com](http://www.weh.com)

**Abbreviations/Definition**

Explanation of abbreviations see technical appendix in the catalogue or [www.weh.com](http://www.weh.com)

**Safe product selection**

Our WEH® Products are designed to be operated by qualified professional users (insofar as WEH® Products are also designed to be operated by other users in individual cases, this is explicitly stated in the corresponding operating instructions). You alone are responsible for the selection of WEH® Products and their configuration according to the requirements of your system. In doing so, please particularly consider your intended use, your performance data, your material compatibility, your system concept and your system limits as well as your technical and legal requirements for operation, handling and maintenance. The quality and safety of WEH® Products is our highest priority. For this reason, WEH® Products may not be used outside the specifications in the relevant data sheets and product descriptions. We also strongly recommend that you refrain from using third-party spare parts or a combination of WEH® Products with unsuitable third-party products. You alone are responsible for reviewing the suitability of third-party products. WEH® Products and WEH® Spare parts comply with our quality and safety standards.

**Explanation on the Pressure Equipment Directive**

These WEH® Products are generally and exclusively classified as pressure accessories for piping in accordance with Article 2 (5) of the Pressure Equipment Directive 2014/68/EU. These WEH® Products may not be used (i) as safety accessories or (ii) for vessels as defined by the Pressure Equipment Directive 2014/68/EU. Therefore, the application of these WEH® Products must comply with their classification as pressure accessories for piping. The assessment with regard to a different classification can, however, be made on request.

**External change management**

WEH reserves the right to update, optimise and adjust its products continuously. This may result in corresponding changes of the product. Customers will be informed proactively or unsolicited by WEH only in individual cases about product updates, product optimisations and/or product adaptations that have been carried out. You are free to contact WEH at any time to request information about any product updates, product optimisations and/or product adjustments.

© All rights reserved, WEH GmbH. Any unauthorized use is strictly forbidden. Subject to alteration.  
No liability will be assumed for any content. Herewith previous versions are no longer valid.

**» Contact**

For queries and further information, please do not hesitate to contact us.

Manufacturer:

**WEH GmbH Precision Connectors**

Josef-Henle-Str. 1  
89257 Illertissen / Germany

Phone: +49 7303 9609-0

Email: [sales@weh.com](mailto:sales@weh.com)

[www.weh.com](http://www.weh.com)